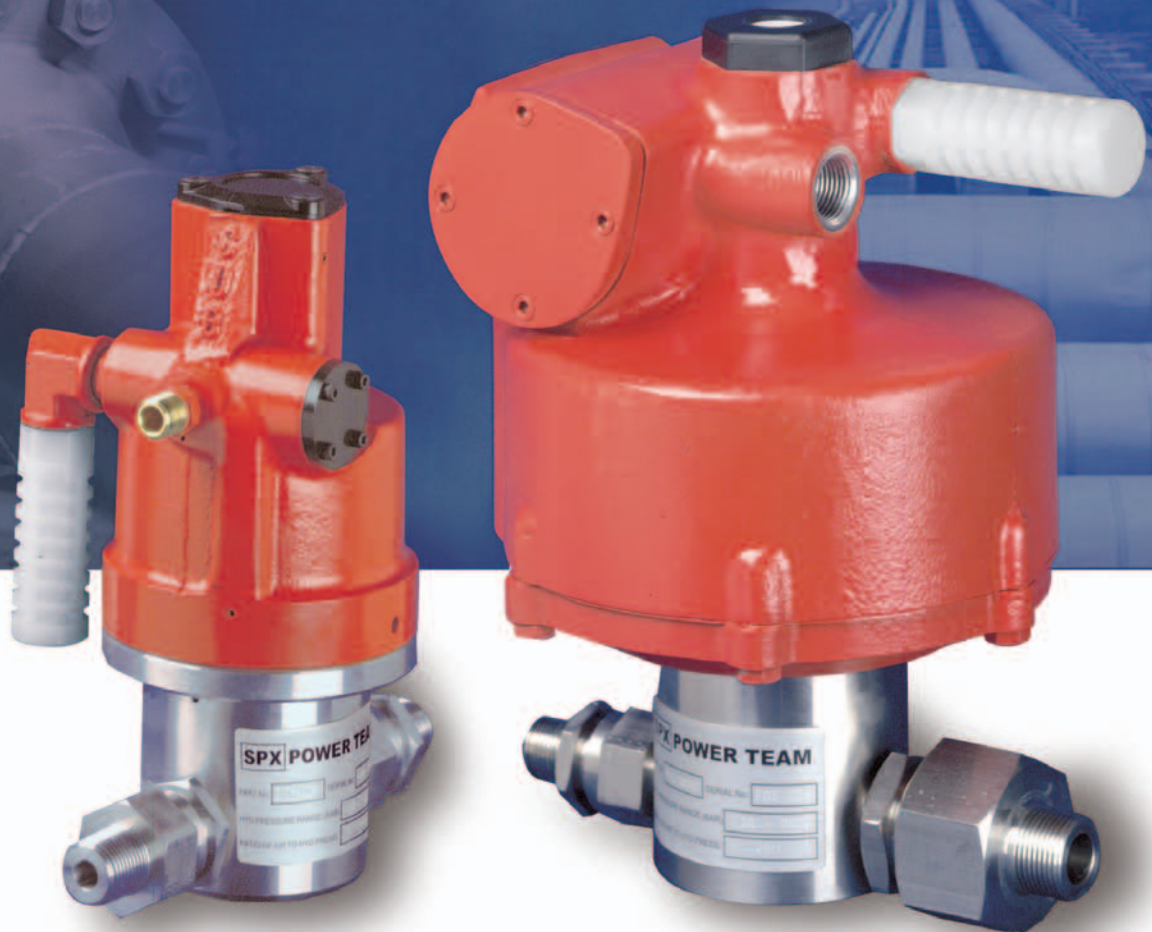


Air Operated High Pressure Pump

PUA & PMA SERIES



POWER TEAM[®]

Your Global Source for High Performance, Hydraulic Tools.

1-800-541-1418 www.powerteam.com

- Provides infinitely variable capacity and discharge pressure
- Suitable for continuous start/stop applications
- Pumps oil, water, and other fluids
- Stainless steel pump and check valves standard
- Maintains pressure with minimal power consumption (Non-load holding)
- Usable in hazardous areas: per ATEX II, CAT. 2 GDcT5
- Quiet operation
- Can operate on gases other than air
- Simple to install and maintain
- Compact, rugged design
- Only 15psi (1bar) air pressure required to start pump



Originally offered in Europe as the **Unicub** and **Mk7** Series pumps under the **Madan** brand name, this rugged, time-tested design is now offered world-wide under the **Power Team** brand. The air operated high pressure pump is suitable for pumping a wide range of different fluids at pressures up to 35,000 psi (2,410 bar). Quiet operation and compact design make the PUA/PMA series ideal for a variety of applications, from pressure or burst testing to uses in various process industries.



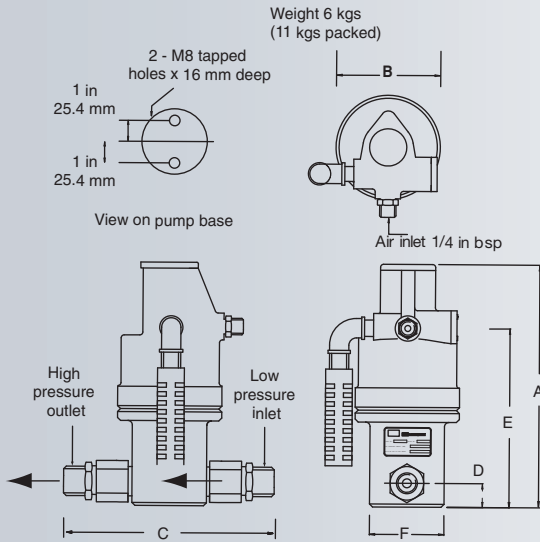
PUA Series Specifications

BSP Fittings	NPT Fittings	Ratio 1:	Outlet Pressure		Output Per Cycle		Maximum Flow AT ZERO PRESSURE		Inlet	Outlet
			(bar)	(psi)	(litres)	(in ³)	(litres/min)	(in ³ /min)		
PUA26B	PUA26U	4.3	26	380	0.028	1.68	14	850	1/2" BSP/NPT	1/2" BSP/NPT
PUA70B	PUA70U	11.9	70	1,010	0.01	0.607	5	305	1/2" BSP/NPT	1/2" BSP/NPT
PUA157B	PUA157U	26.7	157	2,280	0.0045	.269	2.4	146	1/2" BSP/NPT	1/2" BSP/NPT
PUA275B	PUA275U	47.5	275	3,990	0.0025	0.151	1.4	85	1/2" BSP/NPT	1/2" BSP/NPT
PUA430B	PUA430U	68.4	430	6,230	0.0017	0.105	0.9	55	1/2" BSP/NPT	1/2" BSP/NPT
PUA655B	PUA655U	107	655	9,500	0.0011	0.67	0.6	36	1/2" BSP/NPT	1/2" BSP/NPT
PUA982B	PUA982U	163.8	982	14,250	0.0007	0.044	0.4	24	1/2" BSP/NPT	1/2" BSP/NPT

PMA Series Specifications

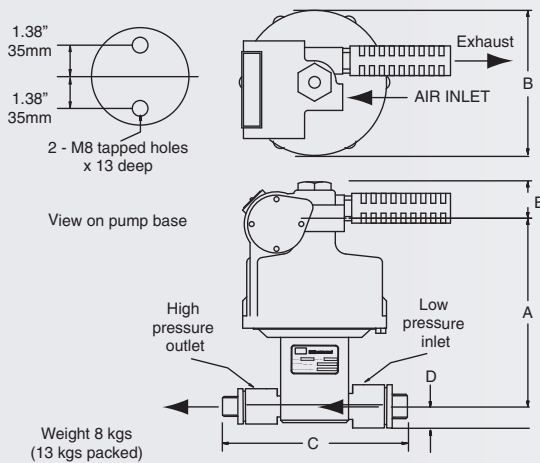
BSP Fittings	NPT Fittings	Ratio 1:	Outlet Pressure		Output Per Cycle		Maximum Flow AT ZERO PRESSURE		Inlet	Outlet
			(bar)	(psi)	(litres)	(in ³)	(litres/min)	(in ³ /min)		
PMA27B	PMA27U	4	27	390	0.16	9.72	37	2260	1" BSP/NPT	3/4" BSP/NPT
PMA60B	PMA60U	9	60	870	0.07	4.32	23	1400	1" BSP/NPT	3/4" BSP/NPT
PMA90B	PMA90U	13.6	90	1,300	0.05	2.85	15	915	1" BSP/NPT	3/4" BSP/NPT
PMA130B	PMA130U	19	130	1,880	0.034	2.04	11	670	3/4" BSP/NPT	1/2" BSP/NPT
PMA190B	PMA190U	28.4	190	2,750	0.023	1.37	7.3	455	3/4" BSP/NPT	1/2" BSP/NPT
PMA240B	PMA240U	36	240	3,480	0.018	1.08	5.8	354	3/4" BSP/NPT	1/2" BSP/NPT
PMA370B	PMA370U	54.5	370	5,360	0.012	0.71	3.8	230	1/2" BSP/NPT	1/2" BSP/NPT
PMA520B	PMA520U	76.5	520	7,540	0.008	.51	2.8	170	1/2" BSP/NPT	1/2" BSP/NPT
PMA770B	PMA770U	113	770	11,160	0.006	0.34	1.8	110	1/2" BSP/NPT	1/2" BSP/NPT
PMA980B	PMA980U	145	980	14,210	0.004	0.27	1.5	91	1/2" BSP/NPT	1/2" BSP/NPT
PMA1740B	PMA1740U	256	1,740	25,230	0.0025	0.15	0.84	51	1/2" BSP/NPT	1/2" HP
PMA2410B	PMA2410U	368	2,410	35,000	0.0017	0.104	0.58	35	1/2" BSP/NPT	1/2" HP

PUA Series Dimensions



CAT #	RAM/DIAMETER		A	B	C	D	E	F
	(mm)	(in)						
PUA26(B/U)	31.75	1 1/4	<u>9.17</u> in 233	<u>4.02</u> 102	<u>6.61</u> 168	<u>.87</u> 22.2	<u>6.69</u> 170	<u>2.87</u> 73
PUA70(B/U)	19	3/4	<u>8.74</u> in 222	<u>4.02</u> 102	<u>6.61</u> 168	<u>.87</u> 22.2	<u>6.22</u> 158	<u>2.87</u> 73
PUA157(B/U)	12.7	1/2	<u>8.74</u> in 222	<u>4.02</u> 102	<u>6.61</u> 168	<u>.87</u> 22.2	<u>6.22</u> 158	<u>2.87</u> 73
PUA275(B/U)	9.53	3/8	<u>8.74</u> in 222	<u>4.02</u> 102	<u>6.61</u> 168	<u>.87</u> 22.2	<u>6.22</u> 158	<u>2.87</u> 73
PUA430(B/U)	7.94	5/16	<u>8.74</u> in 222	<u>4.02</u> 102	<u>6.61</u> 168	<u>.87</u> 22.2	<u>6.22</u> 158	<u>2.87</u> 73
PUA655(B/U)	6.35	1/4	<u>8.74</u> in 222	<u>4.02</u> 102	<u>6.61</u> 168	<u>.87</u> 22.2	<u>6.22</u> 158	<u>2.87</u> 73
PUA982(B/U)	5.13	.202	<u>8.74</u> in 222	<u>4.02</u> 102	<u>6.61</u> 168	<u>.87</u> 22.2	<u>6.22</u> 158	<u>2.87</u> 73

PMA Series Dimensions



CAT #	RAM/DIAMETER		A	B	C	D	E
	(mm)	(in)					
PMA27(B/U)	76.2	3	<u>8.66</u> in 220	<u>7.01</u> 178	<u>9.06</u> 230	<u>1.5</u> 38	<u>1.89</u> 48
PMA60(B/U)	50.8	2	<u>8.27</u> in 210	<u>7.01</u> 178	<u>9.06</u> 230	<u>1.5</u> 38	<u>1.89</u> 48
PMA90(B/U)	41.3	1 5/8	<u>8.27</u> in 210	<u>7.01</u> 178	<u>9.06</u> 230	<u>1.5</u> 38	<u>1.89</u> 48
PMA130(B/U)	35	1 3/8	<u>7.99</u> in 203	<u>7.01</u> 178	<u>7.68</u> 195	<u>.87</u> 22	<u>1.89</u> 48
PMA190(B/U)	28.5	1 1/8	<u>7.99</u> in 203	<u>7.01</u> 178	<u>7.68</u> 195	<u>.87</u> 22	<u>1.89</u> 48
PMA240(B/U)	25.4	1	<u>7.99</u> in 203	<u>7.01</u> 178	<u>7.68</u> 195	<u>.87</u> 22	<u>1.89</u> 48
PMA370(B/U)	20.6	13/16	<u>7.99</u> in 203	<u>7.01</u> 178	<u>7.01</u> 178	<u>.87</u> 22	<u>1.89</u> 48
PMA520(B/U)	17.5	11/16	<u>7.99</u> in 203	<u>7.01</u> 178	<u>7.01</u> 178	<u>.87</u> 22	<u>1.89</u> 48
PMA770(B/U)	14.3	9/16	<u>7.99</u> in 203	<u>7.01</u> 178	<u>7.01</u> 178	<u>.87</u> 22	<u>1.89</u> 48
PMA980(B/U)	12.7	1/2	<u>7.99</u> in 203	<u>7.01</u> 178	<u>7.01</u> 178	<u>.87</u> 22	<u>1.89</u> 48
PMA1740(B/U)	9.5	3/8	<u>7.99</u> in 203	<u>7.01</u> 178	<u>10.08</u> 256	<u>.87</u> 22	<u>1.89</u> 48
PMA2410(B/U)	8	5/16	<u>7.99</u> in 203	<u>7.01</u> 178	<u>10.08</u> 256	<u>.87</u> 22	<u>1.89</u> 48



World Headquarters The Americas Customer Service Center

5885 11th Street
Rockford, Illinois 61109
Tel: 815-874-5556
Customer Service/Order Entry
Tel: 1-800-541-1418
FAX: 1-800-288-7031
Technical Services
Tel: 1-800-477-8326
FAX: 1-800-765-8326
E-mail: info@powerteam.com



European Customer Service Center

Albert Thijsstraat 12
6471 WX Egelshoven
The Netherlands
Tel: 31 (45) 5678877
Fax: 31 (45) 5678878
E-mail: info.europe@fluidpower.spx.com



Asia Pacific Customer Service Center

7 Gul Circle
Singapore 629563
Singapore
Tel: (65) 6265 3343
Fax: (65) 6265 6646
E-mail: info.asia@fluidpower.spx.com



China Customer Service Center

212 Jiang Ning Road
CATIC Tower 23C
Shanghai, 200041 China
Tel: (86-21) 5289-858 Ext. 239
Fax: (86) 138 0182 4556
E-mail: info.asia@fluidpower.spx.com

Distributed by:

1-800-541-1418

www.powerteam.com

POWER TEAM®